

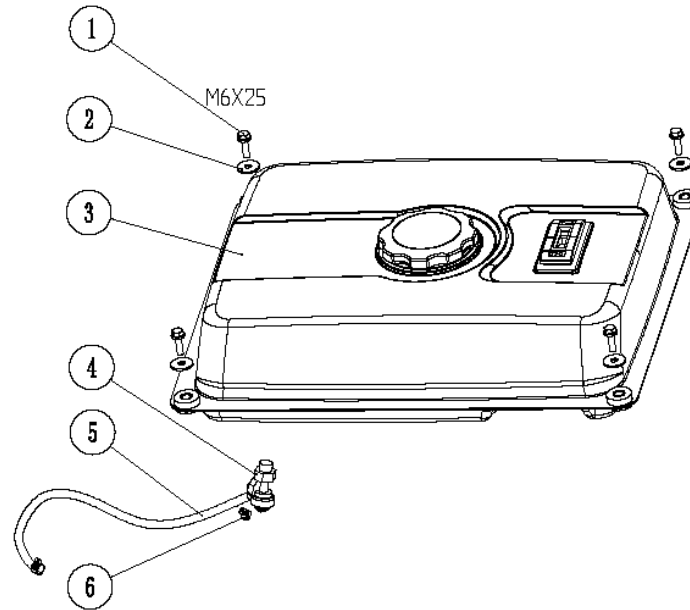


Schema explodata SC3200iF

E-01	2
E-02	3
Fuel tank assembly	
E-03	4~7
Motor assembly	
E-04	8
Frame assembly	
E-05	9
Control panel assy	
E-06	10~11
Muffler assy	
E-07	12

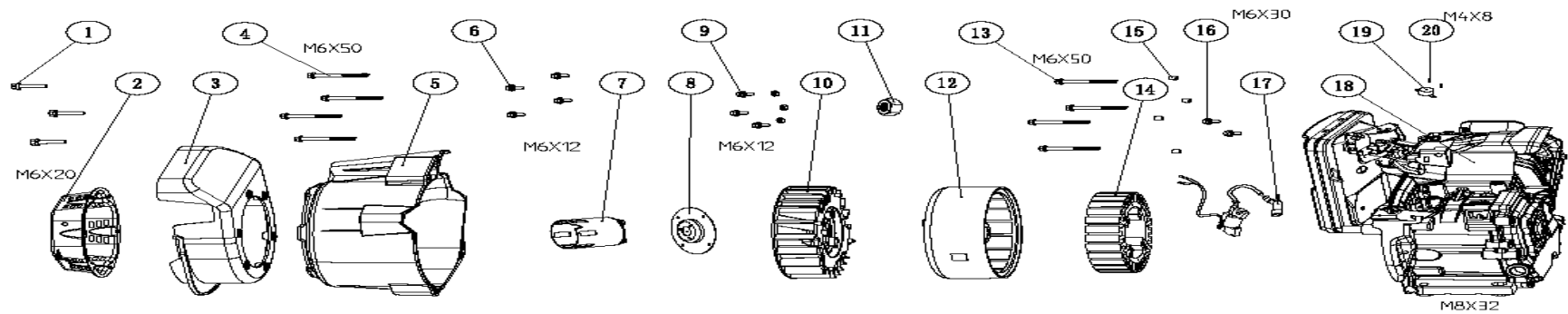


E-02 Fuel tank gasket



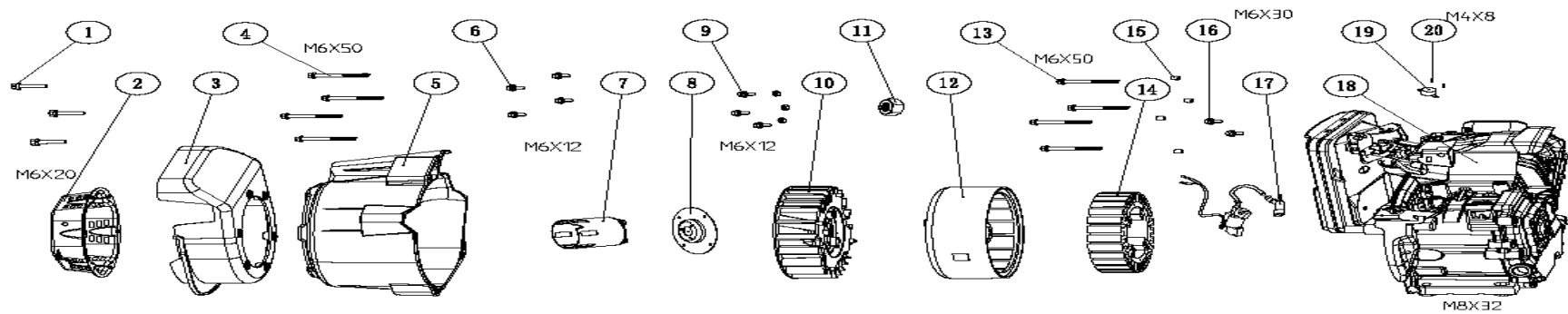
NO.	Part NO.	Description			QTY	
		English	Price (USD)			N.W. (kg) /PC
1	30101-00407-02	flange bolt		4		
2	30136-00074-01	fuel tank gasket		4		
3	20130-00241-00	fuel tank		1		
4	20133-00002-00	fuel valve		1		
5	34023-00004-01	fuel pipe		1		
6	34024-00002-01	clamp		2		

E-03 01



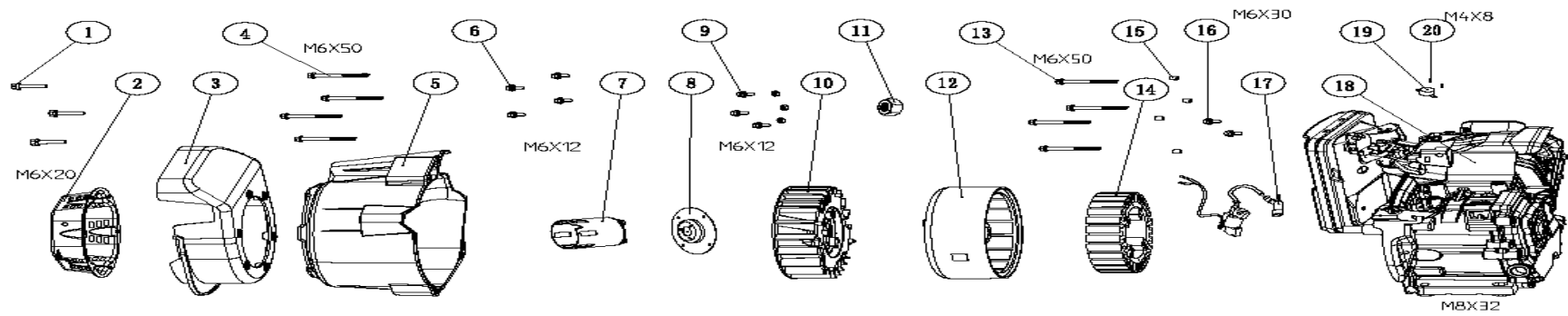
NO.	Part NO.	Description			QTY	
		English	Price (USD)		N.W. (kg) /PC	
1	30101-00042-01	Flange bolt		3		
2	20034-00042-01	Start puller		1		
3	33014-00386-00	Inverter inner cover		1		
4	30101-00418-02	Flange bolt		4		
5	34021-00051-00	Motor housing		1		

E-03 02



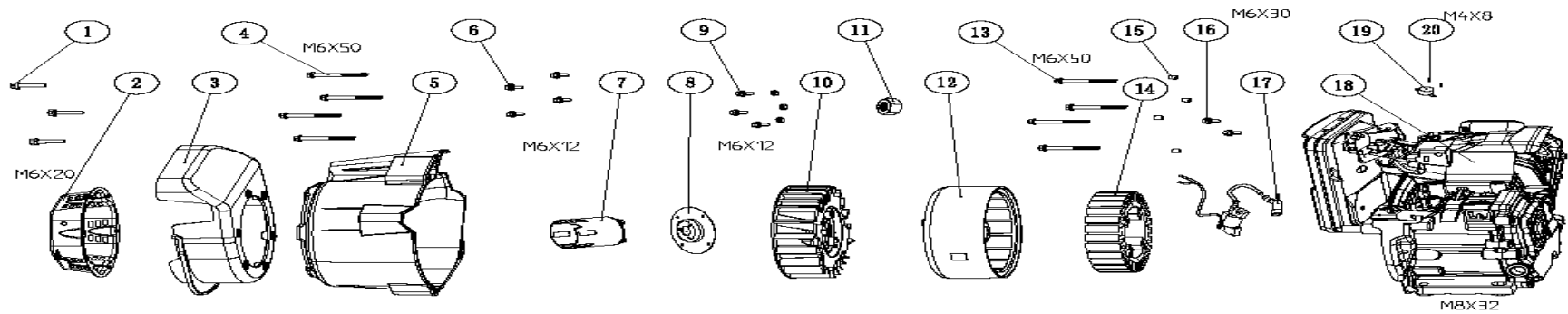
NO.	Part NO.	Description			QTY	
		English	Price (USD)		N.W. (kg) /PC	
6	30101-00398-00	Flange bolt		4		
7	34022-00027-01	Starter cup		1		
8	33136-00015-01	Starter cup board		1		
9	30101-00398-00	Flange bolt		3		
10	33155-00049-02	Fan		1		
11	30125-00065-01	Flange nut		1		
12	20006-0005600	Rotor		1		

E-03 03



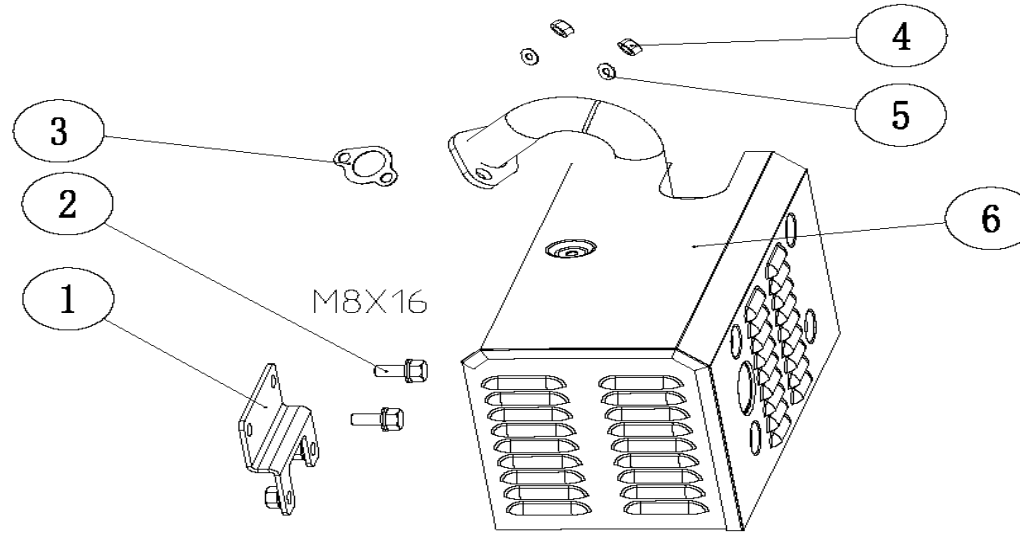
NO.	Part NO.	Description			QTY	
		English	Price (USD)		N.W. (kg) /PC	
13	30101-00418-02	Flange bolt		4		
14	20005-00161-00	Stator		1		
15	34006-00001-00	Locating pin		4		
16	30101-00412-02	Flange bolt		2		
17	20028-00064-01	Ignition coil		1		
18	20260-02933-01	Engine		1		
19	20007-00014-00	Stepper motor		1		

E-03



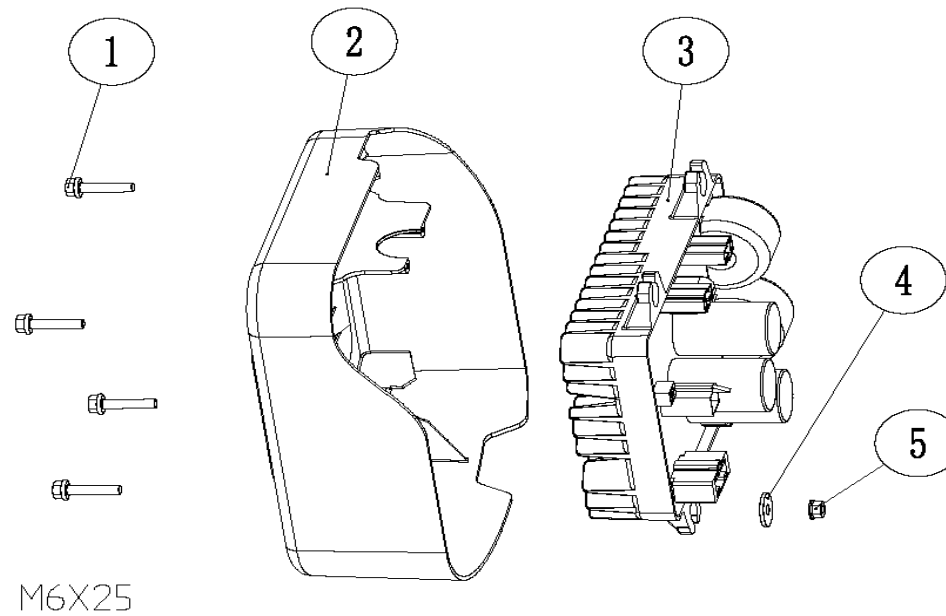
NO.	Part NO.	Description			QTY	
		English	Price (USD)		N.W. (kg) /PC	
20	30111-00004-00	Pan screw		2		

E-04



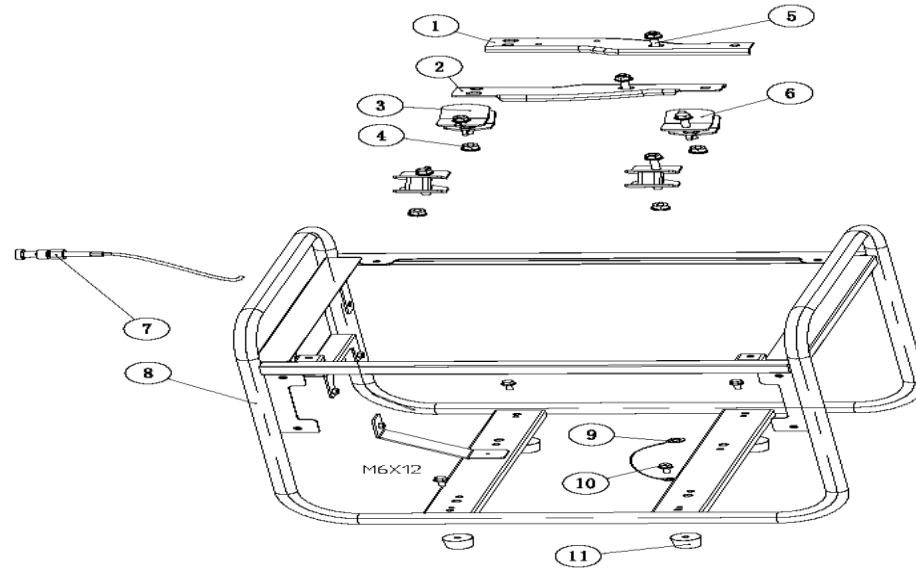
NO.	Part NO.	Description			QTY	
		English	Price (USD)			N.W. (kg) /PC
1	20249-00161-00	Muffler support		1		
2	30101-00355-01	Flange bolt		2		
3	33048-00099-00	Muffler gasket		1		
4	30121-00007-01	Flange nut		2		
5	30139-00036-01	Spring washer		2		
6	20202-00361-01	Muffler		1		

E-05



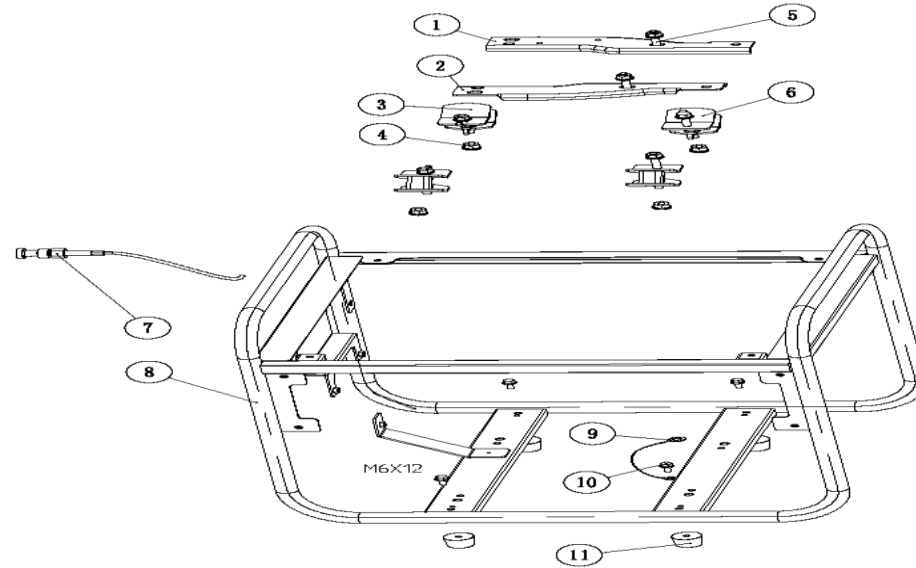
NO.	Part NO.	Description				QTY	
		English	Price (USD)			N.W. (kg) /PC	
1	30101-00407-02	Flange bolt		4			
2	33385-00023-00	Inverter housing		1			
3	20136-00076-01	Inverter		1			
4	30136-00074-01	Flat washer		1			
5	30125-00019-01	Flange nut		1			

E-06 Frame assembly



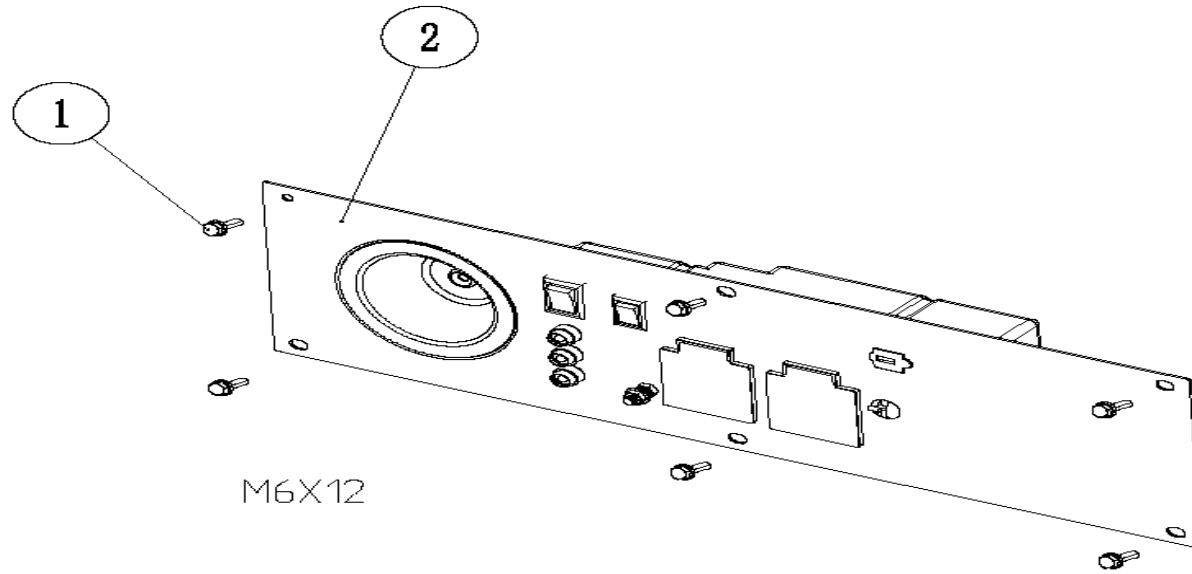
NO.	Part NO.	Description				QTY
		English	Price (USD)			
1	33089-00020-00	Power mounting plate left		1		
2	33089-00021-00	Power mounting plate right		1		
3	34030-00101-01	Damping base left		2		
4	30125-00023-02	Flange nut		10		
5	30101-00367-01	Flange bolt		2		
6	34030-00013-01	Damping base right		2		
7	20030-00015-01	Damper puller		1		

E-06



NO.	Part NO.	Description				QTY	
		English	Price (USD)			N.W. (kg) /PC	
8	20090-00812-00	Frame		1			
9	20196-00123-01	Ground wire		1			
10	30101-00398-00	Flange bolt		4			
11	34030-00059-01	Frame damping base		4			

E-07 Control panel assy



NO.	Part NO.	Description			QTY	
		English	Price (USD)			N.W. (kg) /PC
1	30101-00398-00	Flange bolt		6		
2	20114-02417-01	Control panel assembly		1		

10003-00343-00